

NEW



IRRIGATION METHOD

PLANTING TECHNOLOGY

Ecological Water Saving



www.rubabgroup.com

*10 times re-usable
Growing seedling*



*Planting trees in a
cheap way*

*Innovative
products and
technologies to
reforest the globe*



Made in TÜRKIYE

DATA SHEETS



IRRIBOX

IRRIGATION BOX

IRRIBOX	Growing seedling	• Model "IRRIBOX" for 2 trees and /or bushes and/or vegetables
	Standard parts	• Box-lid-isolation-cap-2 siphons-wick
	Color of box	• Blue
	Color of lid	• Off White
	Color of caps /siphons	• Black
	Color of isolation lid	• Black
	Weight	• 1,750 grams(49,4)
	Material	• Virgin polypropylene
	Additives	• UV protection-anti-oxidants
	Quality standard	• UV Protection according to standards of BASF and CIBA
	Temperature resistance	• Between -40°C to +80°C(-40°F to +176°F)
	Wick-Fitil	• Cotton
	Diameter x height	• 49,5x25 cm (approx.19.5x8.7")
	Content	• 18 liters(4 gallons)
	Complete sets per pallet	• 150 for air freight /250 or 300 for sea freight
	Complete sets 20Ft container	• 2.760 pieces on 10 pallets+5 boxs of L 100xW 120 cm (39.3x47.2")x250
	Complete sets 40Ft HC container	• 5.520 pieces on 20 pallets +13 box of L 100xW 120 cm (39.3x47.2")x300
	Water gift per day	• Variable -between 700 to 18 cc- on average 50 cc (50 millilitres)
	Water gift influence	• Depending on hygroscopic characteristics of soil
	Lid characteristic	• Ultra-low adhesion to water
	Refill	• Opening with cap in cover allows a quick refill if necessary
	Expected lifetime Wick	• One year
	Expected lifetime IRRIBOX	• 10 Times re-usable; depending on temperatures and UV:5 to 15 years

PRODUCTION AREA



HOW WORKING

INSTALLATION

STEP - 1

The principle of IRRIBOX is a copy of the protecting process of excrement above the seed, which itself is sown on top of the soil

It has a diameter of 50 cm (20 inches)

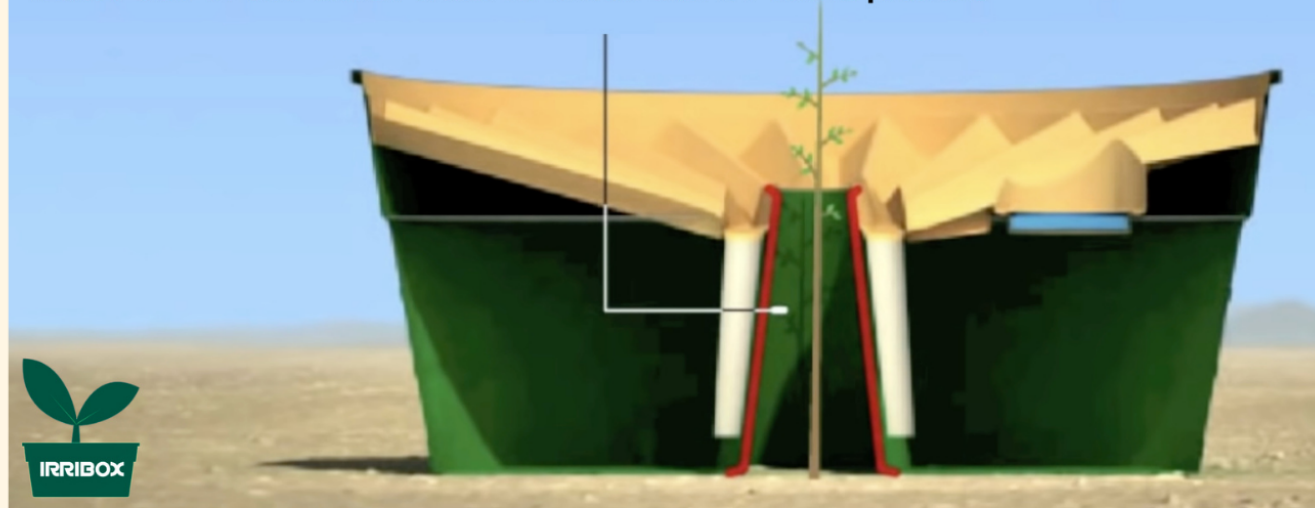


A hight of 25 cm(10 inch)



STEP - 2

The Center of IRRIBOX has a tubular openin where one or two small trees of seeds can be sown/planted



HOW WORKING

INSTALLATION

STEP - 3

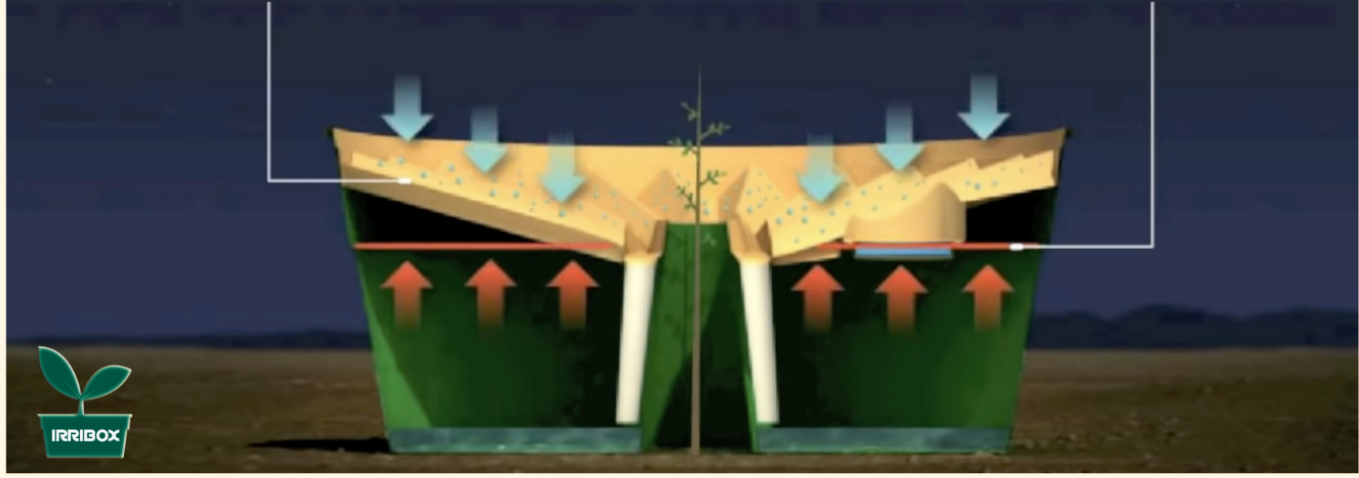
Fill the IRRIBOX with approximately 15 liters (4 gallons) of water and pour approximately 3 liters (1 gallon) of water in the opening. Due to the design of the IRRIBOX the will not evaporate



STEP - 4

During the night the cover of the IRRIBOX cools down faster than the surrounding air

An insulation plate is installed underneath the cover. Due to the temprature difference between the outside air and the cover,the IRRIBOX starts to produce water by means of condensation.

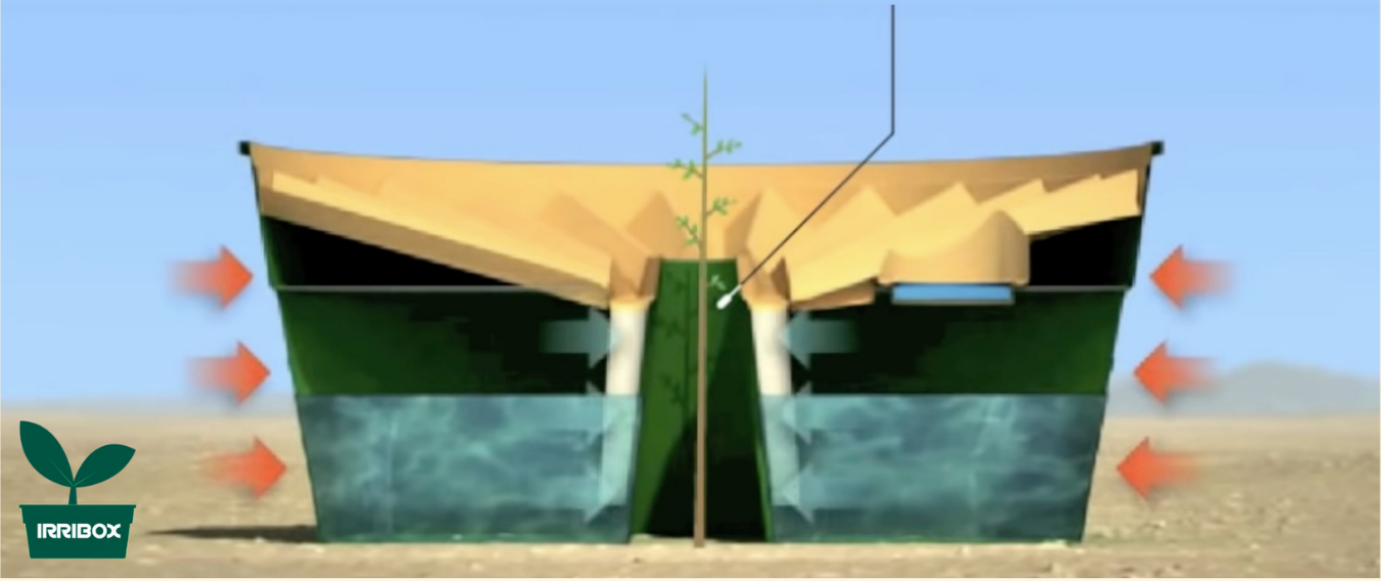


HOW WORKING

INSTALLATION

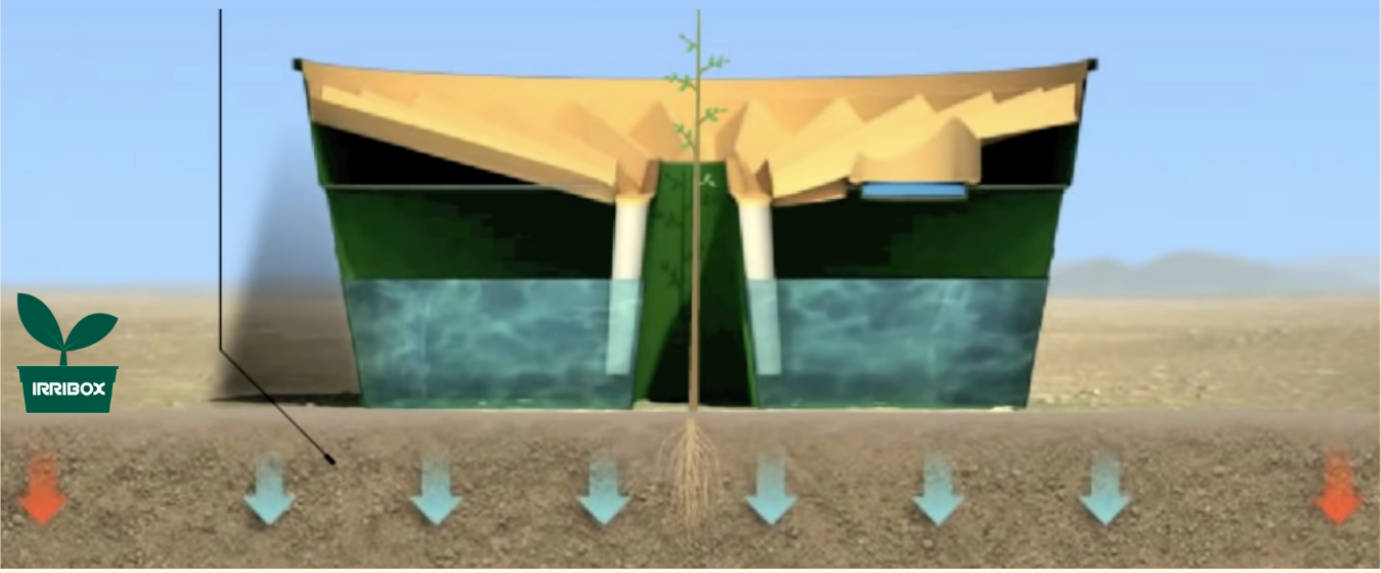
STEP - 5

During the day, the (relatively cool) water reservoir ensures a cooler temperature in the tube than the outside temperature



STEP - 6

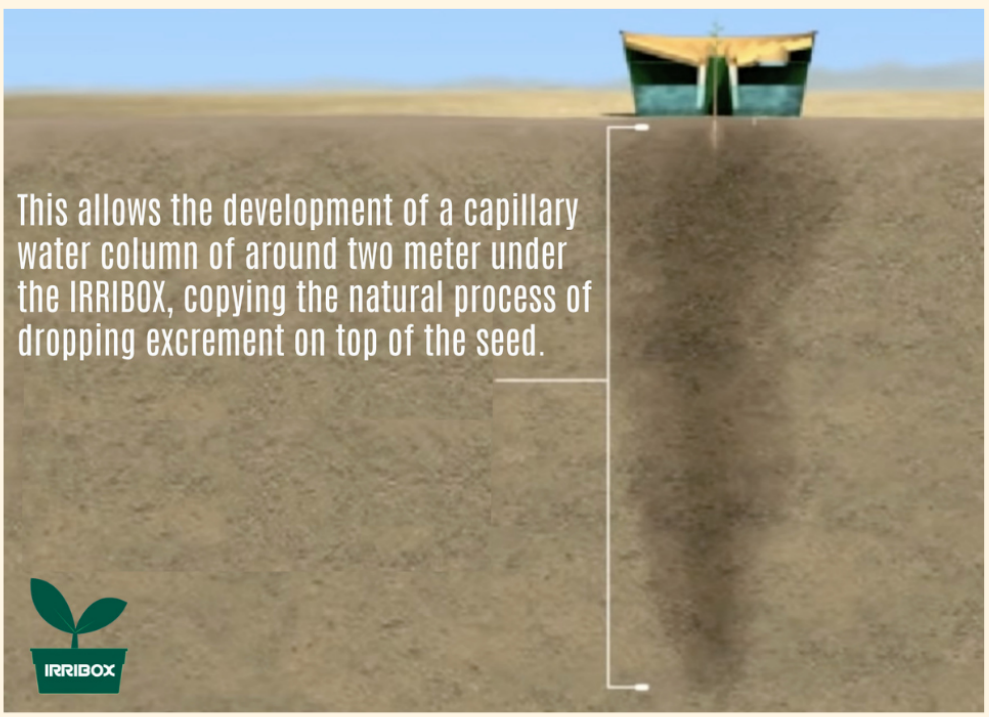
The isolation of the IRRIBOX stabilizes the soil temperature below the box. When the air temperature rises to +40 °c the soil temperature goes max to %25 °C



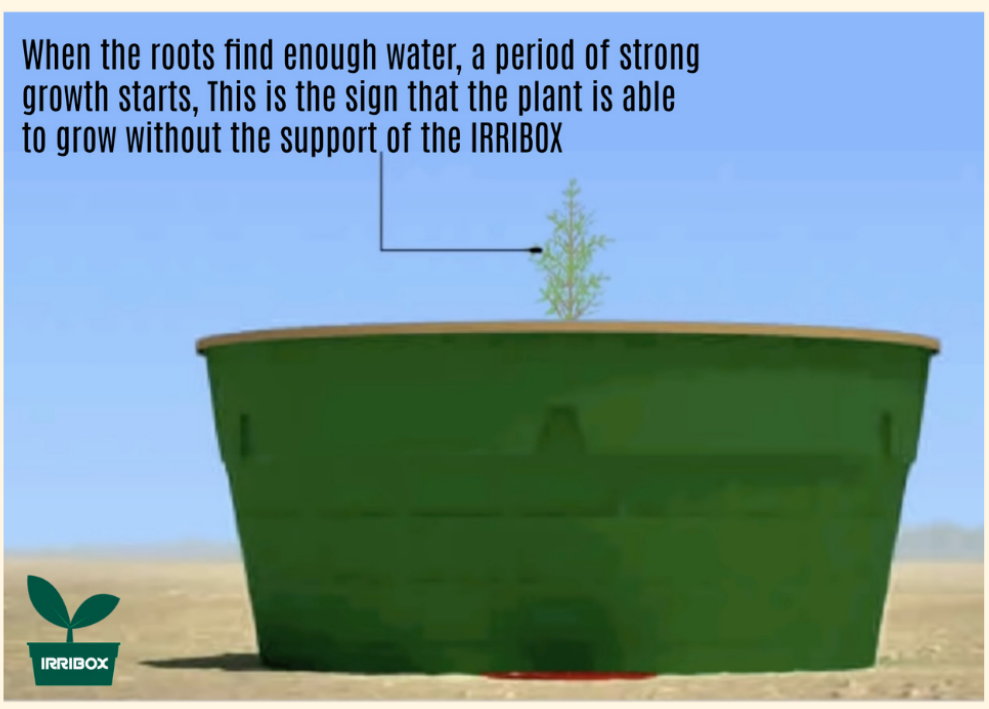
HOW WORKING

INSTALLATION

STEP - 7



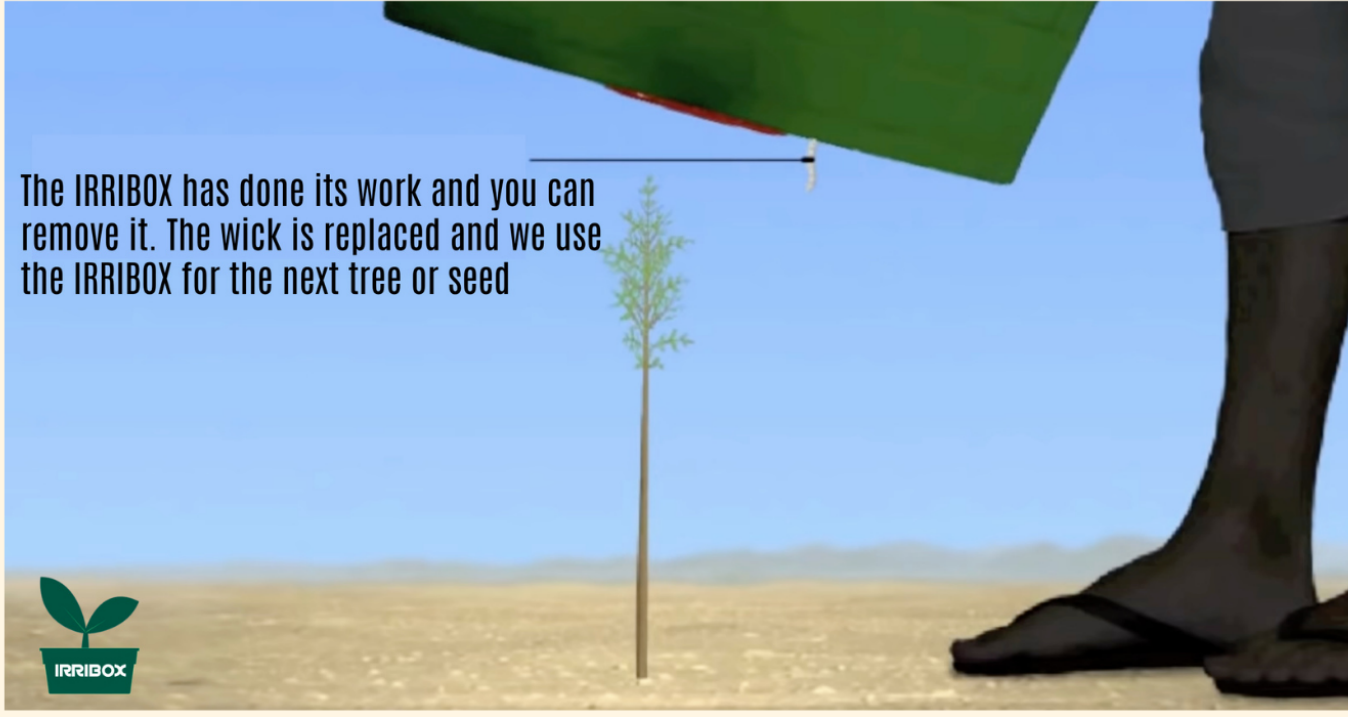
STEP - 8



HOW WORKING

INSTALLATION

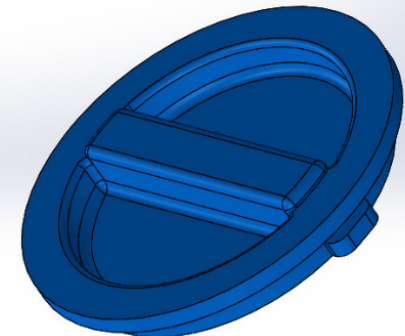
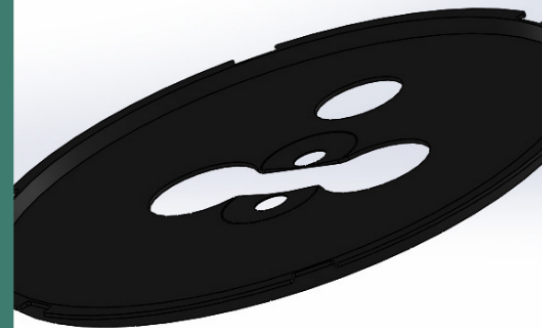
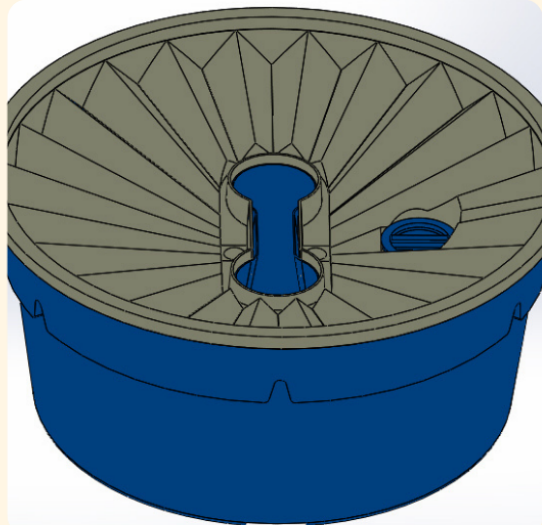
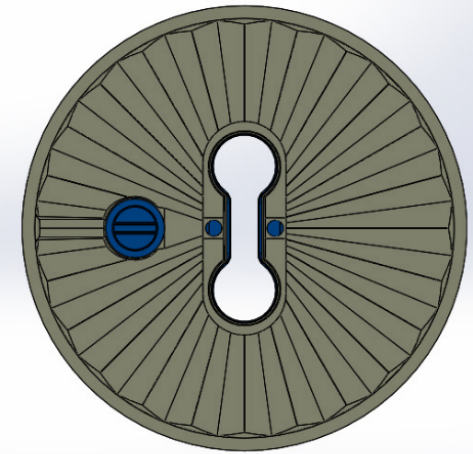
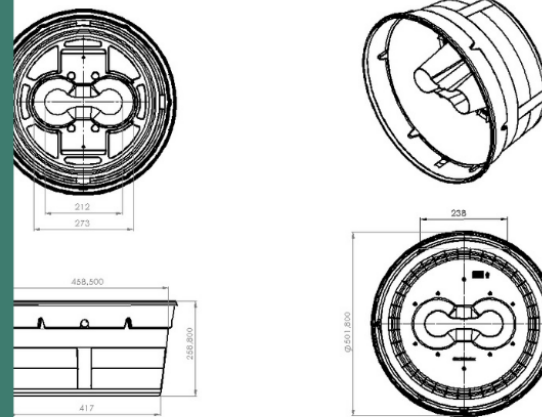
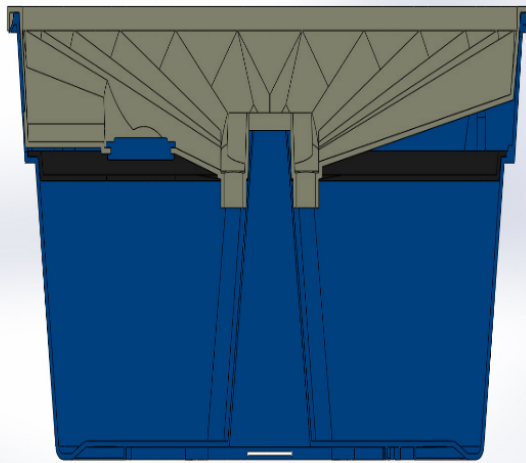
STEP - 9



STEP - 10



PARTS OF IRRIBOX





IRRIBOX

IRRIGATION BOX



QUALITY



REASONABLE PRICE



FAST DELIVERY



CUSTOMER HAPPINESS



CONTACT US



+90 312 911 96 46



www.rubabgroup.com



rubab@rubabtrade.com



+90 536 779 69 30

+90 530 209 61 52